

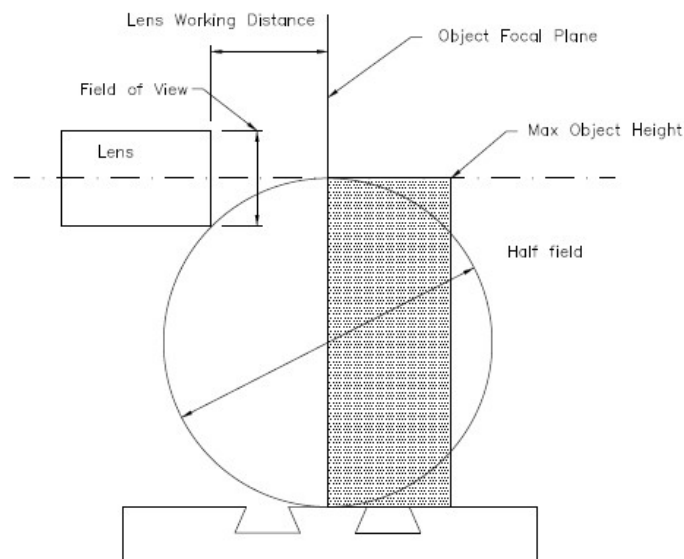
Technical Specification

	R600
X & Y Measuring Range	450mm (18") x 200mm (8")
Workstage Area	900mm (24") x 200mm (8")
Screen Size	600mm (24") - <i>Rotating</i>
Max Work Piece Load	50 Kg
Drive Type	Manual X, Motorised Y
Image	Erect, reversed left to right
Optics/Lens Magnification	x10, x20, x50, x100 <i>high mag condenser required for x50 and x100</i>
Rotatory Turret	4 positions, as standard
Scale Resolution	0.0005mm
Accuracy	2.5 + L/80µm
Maximum Permissible Error	2.5 + 450 (L) / 80 = 8.125 µm
Light Source	Profile 24v 150w lamp - <i>Tugsten Halogen</i> Surface 24v 250w lamp - <i>Twin adjustable fibre optics</i>
Magnification Accuracy	Profile 0.05% Surface 0.1%
Helix Adjustment	± 7° by light source alignment
Options	Motorised X

Lens Working Capacity - mm (inches)

Magnification	X5	X10	X20	X25	X50	X100
Field of View	120 (4.72)	60 (2.36)	30 (1.18)	24 (0.94)	12 (0.47)	6 (1.72)
Working Distance	245 (9.46)	135 (5.31)	132 (5.19)	106 (4.17)	93 (6.15)	50 (1.96)
Max Work Diameter (Full Field)	292 (9.64)	343 (13.5)				195 (7.75)

Horizontal Stage Systems



Physical and Environmental Specifications/Requirements

Electrical Supply Voltage –

- 13A(Max) 220/240v 50Hz or 110v 60Hz single phase (For the FT2-E, Baty recommends a UPS is only required where the power supply fluctuates or is prone to disruption)

Operating Environment –

- Site Location should be clean and dry

Site access –

- Standard door access 800mm(w), possible with manoeuvring room either side available

Machine footprint –

- As per attached drawing below

Operating temperature –

- 0 - 40 °C

Temperature specification range –

- 16 - 26 °C

Humidity –

- 30 - 80% non – condensing

Paint Colours –

- RAL 7035 light grey and RAL 9005 jet black

Machine Weight –

- 550 Kg (without ancillaries)

Packed weight and dimensions –

- Machine: 620 Kg - 1700 X 1040 X 2060 mm

Machine Dimensions, with DRO

